



# MECHANICAL PARTS CASE STUDY

Test Report: Polyga H3



➤ Polyga is a developer of 3D scanners and mesh processing software based in **Vancouver, Canada**

➤ Thousands of **3D scanning software** installations

➤ Core Technology: **Structured light 3D Scanning & 3d Scan Data Processing Software**

➤ Developed **20+** scanner models

➤ Hundreds of scanner deliveries **worldwide** in **engineering** and **research companies**

# Products & Technology

All Polyga 3D scanners use structured-light technology for capturing high-resolution digital 3D scans from real world objects. These systems are great for companies, manufacturers, academic institutions, visual effect studios, and research labs that need 3D scan data for visualization and measurement applications including:

- 3D modeling
- Documentation/archiving
- Reverse engineering
- Scientific measurement
- Computer-aided inspection
- Rapid prototyping/3D printing

# Scanning Overview

## Scanners

Polyga H3

## Introduction

The purpose of this sample test was to perform a demonstration to capture the dimensions of a mechanical part.

## Scan Processing Results

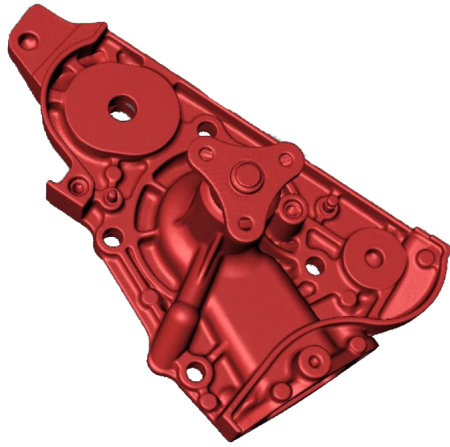
The model below comprised of between 2 scans prior to merging.

# Equipment Used

Polyga H3

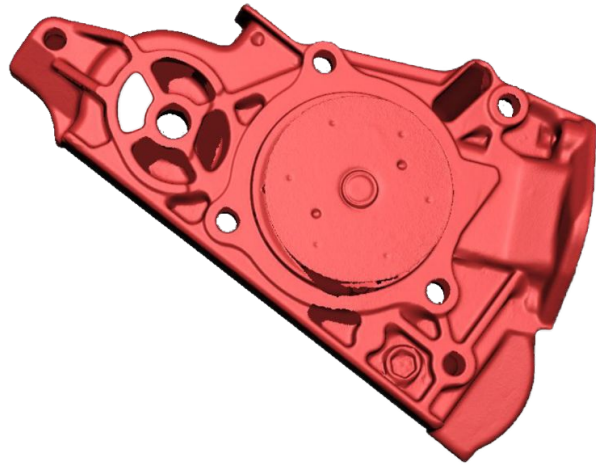


# Scan Results

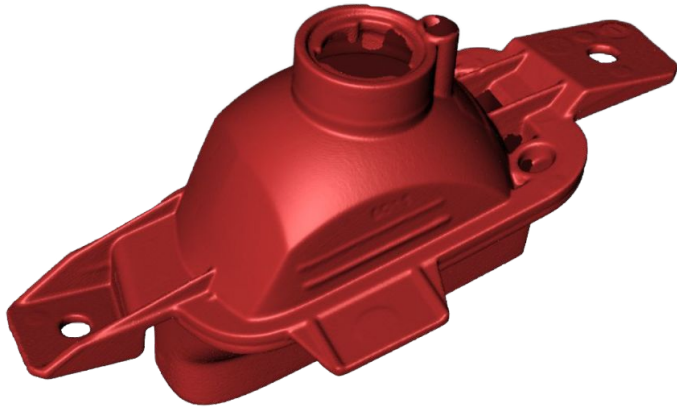


[Download Samples](#)

# Scan Results



# Scan Results



[Download Samples](#)



Our Team Looks Forward To Speaking With You Soon!

[www.polyga.com](http://www.polyga.com)

[contact@polyga.com](mailto:contact@polyga.com)

+1 (604) 293-1767

Unit 221 – 3993 Henning Drive  
Burnaby, BC V5C 6P7  
Canada

